

**BOX-MUT**

**BOX-MUT IP66**

**MUTING CONTROL UNIT for  
TYPE 3 - SIL2 SILCL2 PLd LIGHT CURTAIN**



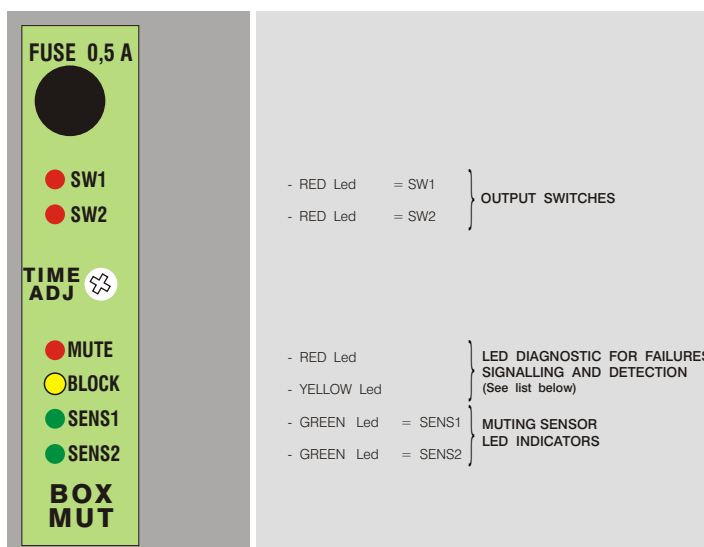
Temporary MUTING of the Safety TYPE3 Light Curtain in relation to the machine cycle. The MUTING function is necessary for the normal automatic cycle of a plant when the object must cross the lightguard without provoking the machine stop.

The palletizer is an example when the palletized product must pass free through the area controlled by the light curtain, while the access of a person must provoke an immediate stop of the plant.

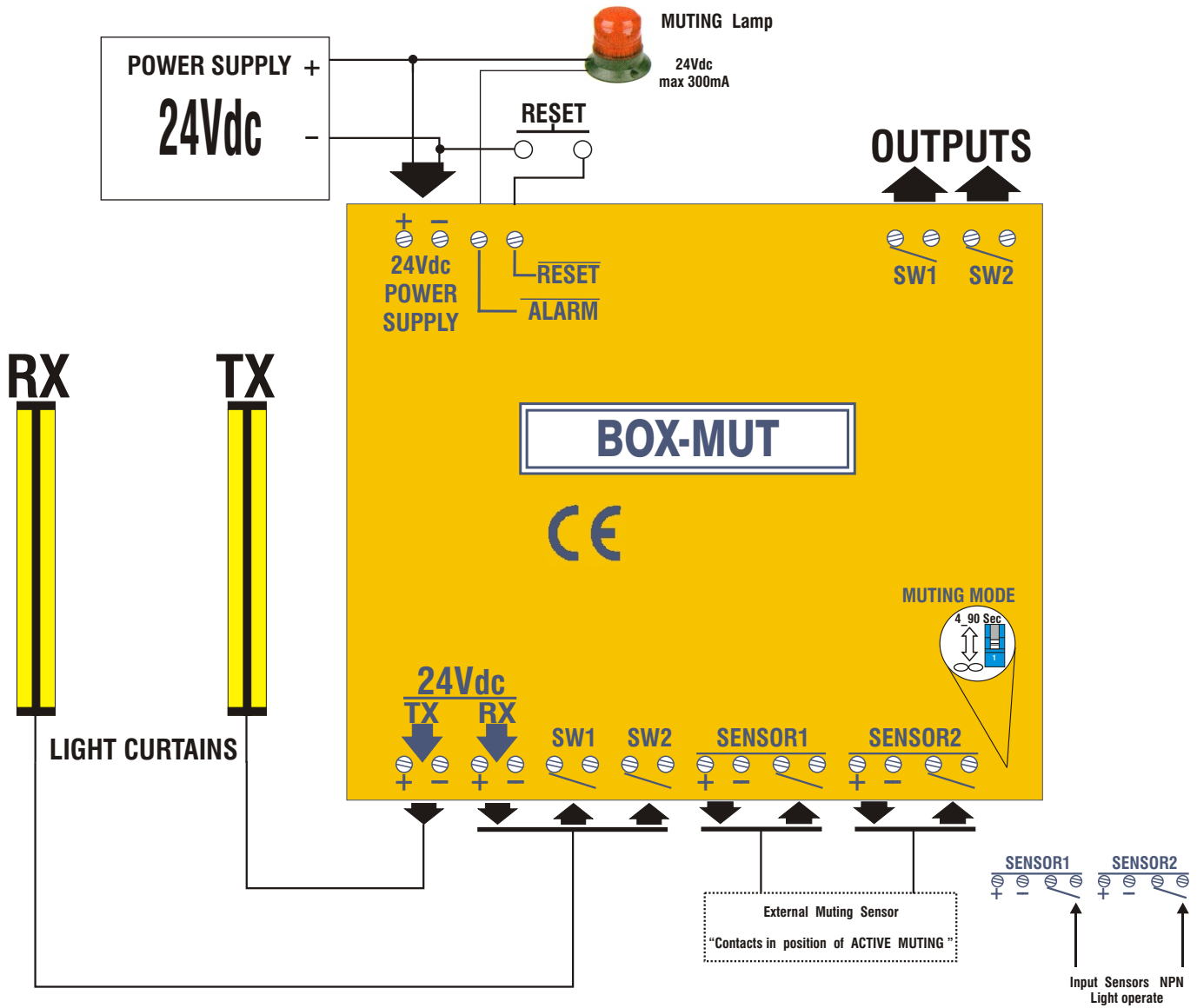
**Applications** : palletizers - robot area - mounting areas - industrial automatic warehouses - etc ...

**TECHNICAL FEATURES**

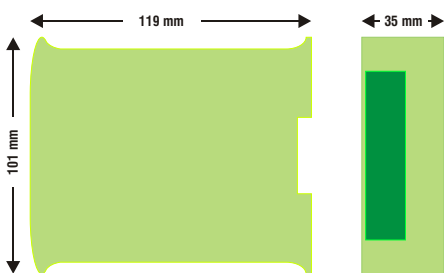
<b>Power Supply</b>	24Vdc ± 10%
<b>Absorption</b>	40 mA
<b>Type 3 Inputs</b>	2 NO (switches SW1 - SW2) contacts with light curtain in alarm state
<b>Type 3 Outputs</b>	2 NO (switches SW1 - SW2) contacts with light curtain in alarm state
<b>Outputs Current</b>	0,75 A @ 40Vdc
<b>Outputs Protection</b>	Short circuit or overcharge
<b>Input Muting Sensors</b>	2 contacts NO or NPN (see diagram electrical connection)
<b>MUTING Time Adjust</b>	4÷90 seconds or infinite through microswitches (MUTING MODE)
<b>Housing</b>	<b>BOX-MUT</b> = Blend PC/ABS self-autoextinguishing DIN RAIL (EN60715) <b>BOX-MUT IP66</b> = Polycarbonate reinforced with glass fiber - transparent lid (EN60529)
<b>Mechanical Dimensions</b>	<b>BOX-MUT</b> = 101 x 119 x 35 mm / <b>BOX-MUT IP66</b> = 110 x 180 x 165 mm
<b>Working Temperature</b>	0 / +55 °C
<b>Protection Degree</b>	<b>BOX-MUT</b> = IP20 / <b>BOX-MUT IP66</b> = IP66
<b>PFHd</b>	10 <sup>-8</sup> until to < 10 <sup>-7</sup>
<b>Directives</b>	2006/42/EC - 2014/30/EC - 2014/35/EC
<b>Standards</b>	CEI-EN 61496-1 : 2014 - CEI-EN 61496-2 : 2014



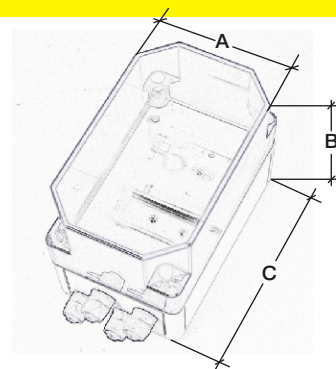
LEDs STATE	SITUATION	SOLUTION
<ul style="list-style-type: none"> <li>● SW1 =</li> <li>● SW2 =</li> </ul> <p>} Following the state of the light curtain</p> <ul style="list-style-type: none"> <li>● MUTE = OFF</li> <li>● BLOCK = OFF</li> <li>● SENS1 = ON</li> <li>● SENS2 = ON</li> </ul>	<p><b><u>NORMAL OPERATION</u></b></p> <p>No Muting request</p>	
<ul style="list-style-type: none"> <li>● SW1 = ON</li> <li>● SW2 = ON</li> <li>● MUTE = BLINKING</li> <li>● BLOCK = OFF</li> <li>● SENS1 = OFF</li> <li>● SENS2 = OFF</li> </ul>	<p><b><u>MUTING - ON</u></b></p> <p>Corrects working of the machine and the Light Curtain in muting-mode. ALARM output in ON STATE (MUTING Lamp)</p>	
<ul style="list-style-type: none"> <li>● SW1 =</li> <li>● SW2 =</li> </ul> <p>} Following the state of the light curtain</p> <ul style="list-style-type: none"> <li>● MUTE = ON</li> <li>● BLOCK = ON</li> <li>● SENS1 = ON OFF</li> <li>● SENS2 = OFF ON</li> </ul> <p>} State disparity sensors</p>	<p><b><u>BLOCK</u></b></p> <p>Disparity of Muting sensors "SENSOR1" "SENSOR2" more than 2 seconds</p>	<p>Eliminate the cause and then push the external button Reset</p>
<ul style="list-style-type: none"> <li>● SW1 = OFF</li> <li>● SW2 = OFF</li> <li>● MUTE = OFF</li> <li>● BLOCK = ON</li> <li>● SENS1 = OFF</li> <li>● SENS2 = OFF</li> </ul>	<p><b><u>MUTING NOT ALLOWED</u></b></p> <p>Request of Muting when the light curtain is in the alarm state</p>	<p>Free the sensitive curtain of the light curtain and the Muting sensors from possible obstacle</p>
<ul style="list-style-type: none"> <li>● SW1 =</li> <li>● SW2 =</li> </ul> <p>} Following the state of the light curtain</p> <ul style="list-style-type: none"> <li>● MUTE =</li> <li>● BLOCK =</li> </ul> <p>} Simultaneous blinking</p> <ul style="list-style-type: none"> <li>● SENS1 = OFF</li> <li>● SENS2 = OFF</li> </ul>	<p><b><u>TIME - OUT</u></b></p> <p>Muting time over-range set by the regulator TIME- ADJ (only MUTING MODE set on 4 ÷ 90 sec.)</p>	<p>Free the stand still obstacle among the Muting sources (photocells, switches, etc...)</p>



**MECHANICAL DIMENSIONS (millimeters)**



**BOX-MUT**



- A = 110mm
  - B = 165mm
  - C = 180mm
- BOX-MUT IP66**

**HOW TO ORDER**

Product Code

**BOX-MUT**

**BOX-MUT IP66**